

HIGH QUALITY MINING CHAINS



Mackchain Manufacturing

WWW.MACKCHAIN.COM.AU

MINING CHAINS

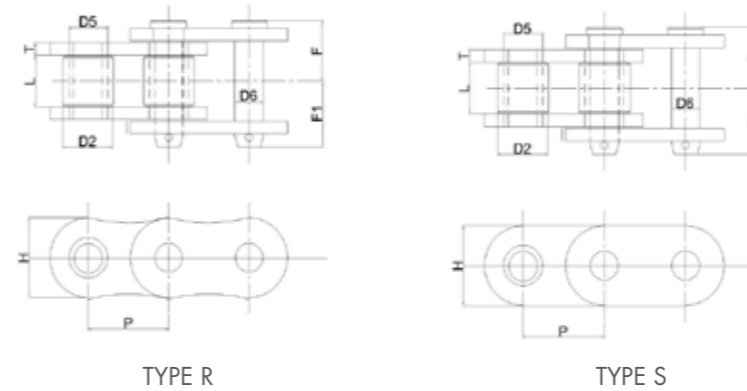
PRODUCT TECHNICAL DATA



Mack mining chains use special material combined with close tolerance machining to ensure all the chains are fitted properly and has great strength. Acid tested and higher tensile strength, longer fatigue Mack mining chains are also available in types of MKCORX and MKXTRA.



Mackchain
AUSTRALIA
Since 1986

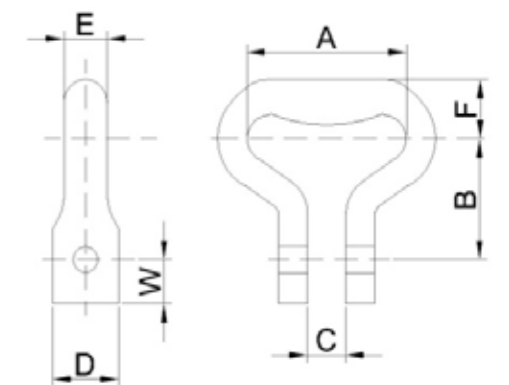


TRAM CHAINS

| Chain Number | Pitch inches | Type | Chain Width | | | Inside Width | Pins | Bushings | Rollers | Sided bars | | Approx. Weight lbs/ft |
|--------------|-----------------|------|-------------|------|------|--------------|------|----------|---------|------------|------|--------------------------|
| | | | F+F1 | F | F1 | L | D6 | D5 | D2 | T | H | |
| MKP2TPR | 2.00 | R | 3.38 | 1.44 | 1.72 | 1.25 | 0.72 | 1.13 | - | 0.31 | 1.88 | 8.30 |
| MKP2TPS | 2.50 | S | 3.72 | 1.69 | 2.00 | 1.50 | 0.88 | 1.13 | 1.56 | 0.38 | 2.13 | 13.50 |
| MKP2TPS-T | 2.50 | S | 4.13 | 1.91 | 2.00 | 1.50 | 0.88 | 1.13 | 1.56 | 0.44 | 2.13 | 14.50 |

Note: This two types of transmission chain are typically used in feeder applications. Other sizes are available.

PADLESS CONNECTOR SPECIFICATIONS

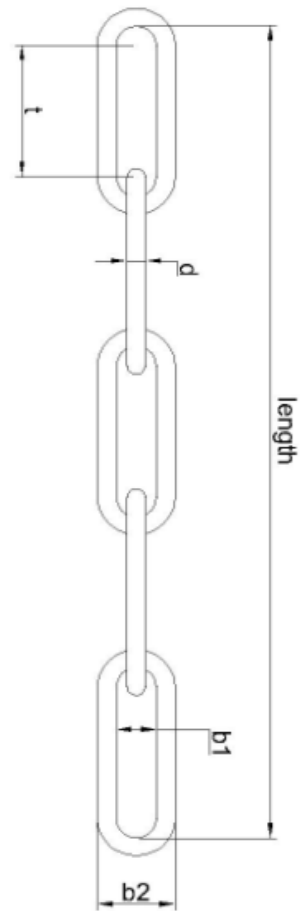


| Part No. | Nominal Chain Size mm | A | B | C max | D | E | F | Wt. kg/m |
|-----------|-----------------------|-----|------|-------|----|----|----|----------|
| MKPC1450 | 14x50 | 50 | 47.5 | 17 | 28 | 15 | 23 | 0.46 |
| MKPC1864 | 18x64 | 64 | 55 | 22 | 38 | 19 | 30 | 1 |
| MKPC2286 | 22x86 | 86 | 75 | 31 | 50 | 23 | 38 | 1.6 |
| MKPC30108 | 30x108 | 108 | 96 | 34 | 64 | 31 | 50 | 4 |

PRODUCT TECHNICAL DATA

ROUND LINK MINING CHAIN

Mack round link Mining chains meet the dimensional requirements in DIN22252:2001 and all chains has been calibrated and tested for conveyor and haulage systems.



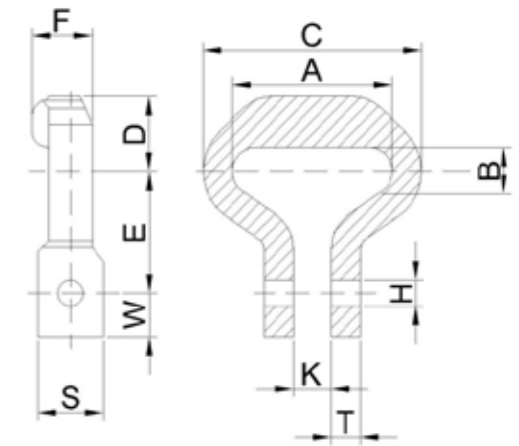
| Nominal Size | Diameter | | Pitch | | Width | | Gauge Length | |
|--------------|----------|-------------|-------|-----------|---------------|----------------|--------------|----------------|
| | mm | d Tolerance | t | Tolerance | inside B1 min | Outside B2 max | 5xt | Outside B4 max |
| 14x50 | 14 | ±0.4 | 50 | ±0.5 | 17 | 48 | 250 | ±1 |
| 18x64 | 18 | ±0.5 | 64 | ±0.6 | 21 | 60 | 320 | ±1 |
| 19x64.5 | 19 | ±0.6 | 64.5 | ±0.6 | 22 | 63 | 322.5 | ±1 |
| 22x86 | 22 | ±0.7 | 86 | ±0.9 | 26 | 73 | 430 | ±1 |
| 26x92 | 26 | ±0.8 | 92 | ±0.9 | 30 | 85 | 460 | ±1 |
| 30x108 | 30 | ±0.9 | 108 | ±1.1 | 34 | 97 | 540 | ±1.2 |
| 34x126 | 34 | ±1 | 126 | ±1.3 | 38 | 109 | 630 | ±1.3 |
| 38x137 | 38 | ±1.1 | 137 | ±1.4 | 42 | 121 | 685 | ±1.4 |

QUALITY GRADE 2

Note: Elongation at test force-1.6%max
Total elongation at fracture-11%min
Fatigue Test-70,000cycles min.Mean stress 150N/mm². Amplitude Rust Preventative ±100N/mm²

| Chain Number | Nominal Size | Test Force | Breaking Force | Operating Force | Bend Test Deflection-min. | Weight |
|--------------|--------------|------------|----------------|-----------------|---------------------------|--------|
| | mm | KN | KN | KN-max | mm | kg |
| MK14050RDG2 | 14x50 | 185 | 246 | 154 | 14 | 4 |
| MK18064RDG2 | 18x64 | 305 | 407 | 254 | 18 | 6.6 |
| MK19064RDG2 | 19x64.5 | 340 | 454 | 283 | 19 | 7.6 |
| MK22086RDG2 | 22x86 | 456 | 608 | 380 | 22 | 9.5 |
| MK26092RDG2 | 26x92 | 637 | 850 | 531 | 26 | 13.7 |
| MK30108RDG2 | 30x108 | 848 | 1130 | 707 | 30 | 18 |
| MK34126RDG2 | 34x126 | 1090 | 1450 | 907 | 34 | 22.7 |
| MK38137RDG2 | 38x137 | 1360 | 1820 | 1130 | 38 | 29 |

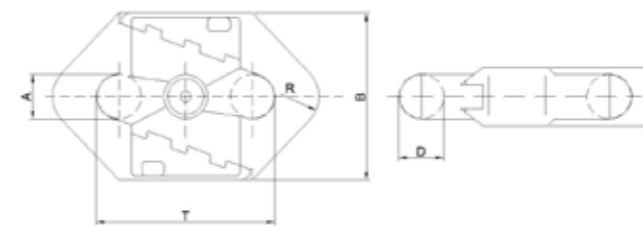
TWIN OUTBOARD SHACKLES



| Nominal Chain Size | Test Force min. | Elongation at Test Force | Breaking Force min. | Elongation at Break |
|--------------------|-----------------|--------------------------|---------------------|---------------------|
| mm | KN | %max | KN | %max |
| 14x50 | 180 | 2 | 225 | 8 |
| 18x64 | 300 | 2 | 370 | 8 |
| 19x64.5 | 325 | 2 | 405 | 8 |
| 22x86 | 440 | 2 | 550 | 8 |
| 26x92 | 580 | 2 | 725 | 8 |

TWIN OUTBOARD SHACKLES SPECIFICATIONS

| Part Number | Nominal Chain Size mm | A | B | C max | D | E | F | G | H | K | S | T | W |
|-------------|-----------------------|------|----|-------|------|----|----|----|----|------|----|----|----|
| MKTS1450 | 14x50 | 50 | 15 | 81 | 29 | 48 | 30 | 23 | 17 | 18 | 30 | 13 | 18 |
| MKTS1864 | 18x64 | 64.5 | 20 | 105 | 44 | 55 | 40 | 31 | 21 | 19.5 | 43 | 19 | 40 |
| MKTS1964 | 19x64.5 | 64.5 | 20 | 105 | 44 | 55 | 40 | 31 | 21 | 19.5 | 43 | 19 | 40 |
| MKTS2286 | 22x86 | 86 | 24 | 134 | 58.5 | 75 | 46 | 37 | 25 | 24 | 52 | 22 | 44 |
| MKTS2992 | 29x92 | 92 | 28 | 148 | 60.5 | 85 | 53 | 43 | 28 | 30.5 | 58 | 26 | 46 |



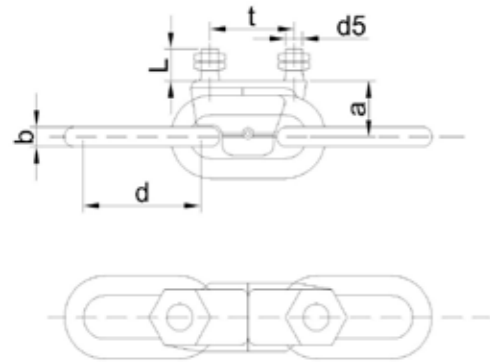
BI-LOCK CONNECTORS FOR MINING CHAIN

| Part No. | Nominal Chain Size | Dimension mm | | | | | | Test Force TF | Breaking Force BF | Operating Force WF | Wt. Approx |
|-----------|--------------------|--------------|---------|-------|-------|-------|-------|---------------|-------------------|--------------------|------------|
| | | mm | D max | T max | A min | B min | C max | | | | |
| MKBL2286 | 22x86 | 22±0.7 | 86±0.9 | 24 | 85 | 27 | 35 | 455 | 645 | 380 | 1.35 |
| MKBL2692 | 26x92 | 26±0.8 | 92±0.9 | 28 | 97 | 33 | 41 | 637 | 900 | 531 | 1.92 |
| MKBL30108 | 30x108 | 30±0.9 | 108±1.1 | 32 | 109 | 36 | 47 | 848 | 1200 | 707 | 2.98 |
| MKBL34126 | 34x126 | 34±1.0 | 126±1.3 | 36 | 121 | 41 | 52 | 1090 | 1540 | 907 | 4.15 |
| MKBL38137 | 38x137 | 38±1.1 | 137±1.4 | 40 | 134 | 46 | 58 | 1360 | 1926 | 1130 | 5.71 |

PRODUCT TECHNICAL DATA

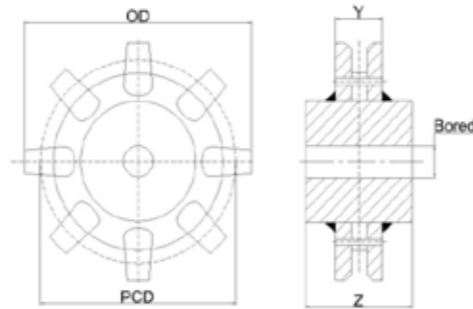
OTHER INDUSTRIAL PRODUCTS

BUCKET CLAMPS

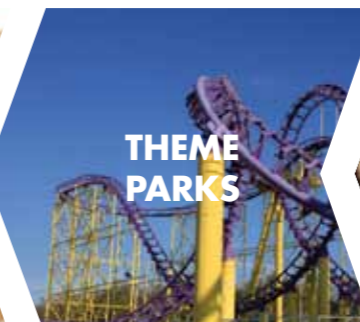
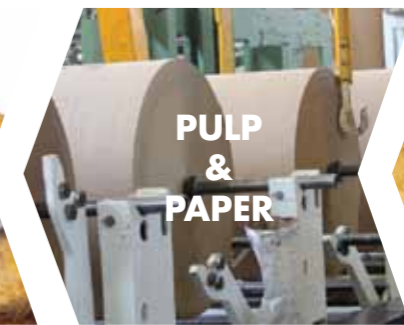


| Clamp Reference Number | Chain Size | t | p | d | a | l | d5 | Weight |
|------------------------|------------|-----|-----|----|----|----|-----|--------|
| | | mm | | | | | | kg/pc |
| MKBC1564 | 16x64 | 63 | 64 | 16 | 37 | 40 | M16 | 0.75 |
| MKBC1975 | 19x75 | 80 | 75 | 19 | 47 | 50 | M20 | 1.3 |
| MKBC2286 | 22x86 | 91 | 86 | 22 | 52 | 55 | M24 | 2.2 |
| MKBC26100 | 26x100 | 105 | 100 | 26 | 57 | 58 | M24 | 2.6 |
| MKBC30120 | 30x120 | 126 | 120 | 30 | 71 | 65 | M30 | 4.5 |
| MKBC34136 | 34x136 | 147 | 136 | 34 | 81 | 75 | M36 | 7.1 |

STANDARD FABRICATED SPROCKETS DIMENSIONS



| Part Number | Chain Size mm | No. of Teeth | X | Y | Z | PCD | OD | Std Pilot Bored | Est.Wt. kg |
|--------------|---------------|--------------|-----|-----|-----|-----|-----|-----------------|------------|
| MKST6C1450 | 14x50 | 6 | 100 | 51 | 114 | 194 | 238 | 25 | 12 |
| MKST8C1450 | 14x50 | 8 | 113 | 51 | 120 | 256 | 300 | 25 | 18 |
| MKST10C1450 | 14x50 | 10 | 176 | 51 | 128 | 319 | 364 | 25 | 35 |
| MKST11C1450 | 14x50 | 11 | 210 | 51 | 128 | 352 | 396 | 40 | 43 |
| MKST13C1450 | 14x50 | 13 | 178 | 51 | 120 | 415 | 460 | 40 | 44 |
| MKST6C1864 | 18x64 | 6 | 125 | 59 | 114 | 247 | 308 | 25 | 20 |
| MKST8C1864 | 18x64 | 8 | 146 | 59 | 152 | 328 | 390 | 25 | 36 |
| MKST10C1864 | 18x64 | 10 | 230 | 59 | 152 | 409 | 470 | 40 | 69 |
| MKST11C1864 | 18x64 | 11 | 270 | 59 | 152 | 450 | 515 | 45 | 90 |
| MKST13C1864 | 18x64 | 13 | 280 | 59 | 202 | 531 | 592 | 45 | 129 |
| MKST6C2286 | 22x86 | 6 | 170 | 96 | 152 | 335 | 420 | 25 | 54 |
| MKST8C2286 | 22x86 | 8 | 278 | 96 | 172 | 442 | 526 | 25 | 118 |
| MKST10C2286 | 22x86 | 10 | 305 | 96 | 178 | 550 | 634 | 45 | 165 |
| MKST6C2692 | 26x92 | 6 | 180 | 101 | 160 | 354 | 434 | 32 | 55 |
| MKST8C2692 | 26x92 | 8 | 262 | 101 | 180 | 471 | 551 | 40 | 99 |
| MKST10C2692 | 26x92 | 10 | 380 | 101 | 180 | 588 | 668 | 40 | 187 |
| MKST6C30108 | 30x108 | 6 | 230 | 117 | 200 | 416 | 517 | 50 | 122 |
| MKST8C30108 | 30x108 | 8 | 326 | 117 | 200 | 554 | 655 | 100 | 215 |
| MKST11C30108 | 30x108 | 11 | 400 | 117 | 200 | 759 | 860 | 100 | 355 |





Mackchain Australia
PO BOX 2508
Mount Waverley VIC Australia 3149

Tel: 61 3 8394 2572
Fax: 61 3 8677 9358
E-mail: ausales@mackchain.com

WWW.MACKCHAIN.COM.AU